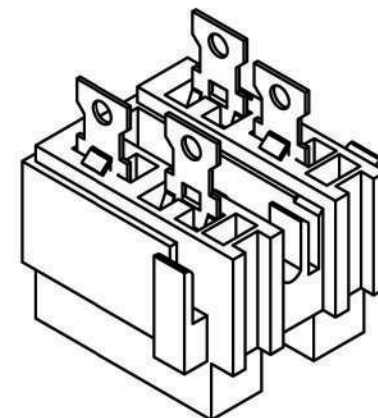
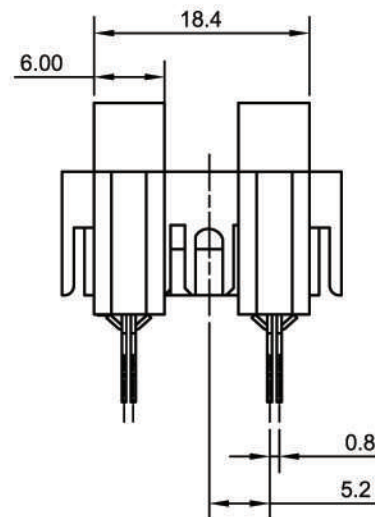
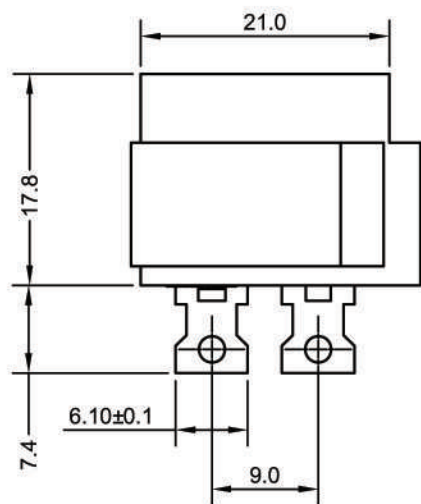
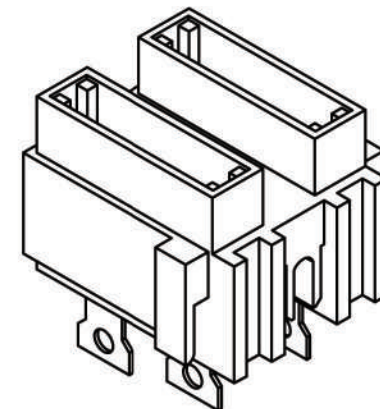
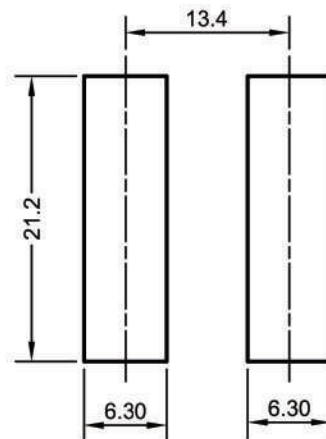
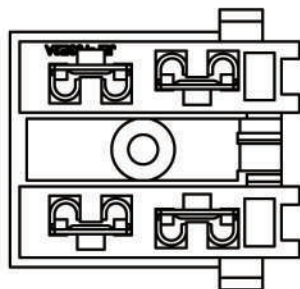

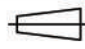


Recommend Panel Mount
punch dimensions



Panel Mount Fuse Holder for ATU Fuse
 Specification:
 Electrical:Max. 20A 32V
 Insulation Body:Nylon
 Contact:0.4mm Brass Tin plated



UNLESS OTHERWISE SPECIFIED DIMENSIONS ARE IN MM TOLERANCE DECIMALS ANGULAR X± 0.5 ± 2' XX± 0.25 DO NOT SCALE DRAWING		CUSTOMER NO.	DONGGUAN TIANRUI ELECTRONIC CO., LTD.
		DRAWN BY	
 		CHECKED BY	Panel Mount Fuse Holder
		APPROVED BY	
P/N		DATE 2008/02/04	DRAWING NO. BA04032201
REV	A	SCALE	